



LIUGONG WHEEL LOADER

**890HV**

ISLAND-READY HEAVY  
EQUIPMENT SOLUTIONS



**MICRONESIA**  
CONTRACTORS SOLUTIONS



MCSHEAVYEQUIPMENT.COM



+1 (671) 473-4374



17-3311 CORSAIR RD., TIYAN, GU 96931

# SPECIFICATIONS

## ENGINE

|                  |                                    |
|------------------|------------------------------------|
| Emissions rating | Stage V                            |
| Make             | Cummins                            |
| Model            | X12                                |
| Gross power      | 370 hp (276 kW) @ 1,800 rpm        |
| Net power        | 351 hp (262 kW) @ 1,800 rpm        |
| Peak torque      | 1249 lbf-ft (1693 N-m) @ 1,400 rpm |
| Cylinders        | 6                                  |
| Displacement     | 11.8L (720 in <sup>3</sup> )       |
| Aspiration       | Turbocharged & Charge air cooler   |

## TRANSMISSION

|                        |                              |
|------------------------|------------------------------|
| Transmission type      | Countershaft, powershift     |
| Torque converter       | Single stage, three elements |
| Max. travel speed, fwd | 23.6 mph (38 km/h)           |
| Max. travel speed, rev | 16.5 mph (26.5 km/h)         |
| Number of speeds, fwd  | 4                            |
| Number of speeds, rev  | 3                            |

## AXLES

|                         |              |
|-------------------------|--------------|
| Differential front type | HDL          |
| Differential rear type  | Conventional |
| Axle oscillation        | ±11°         |

## STEERING

|                        |                       |
|------------------------|-----------------------|
| Steering configuration | Variable displacement |
| Steering pressure      | 3,002 psi (20.7 MPa)  |

## BRAKES

|                         |                                    |
|-------------------------|------------------------------------|
| Service brake type      | Fully hydraulic brake              |
| Service brake actuation | Single pedal+Fully hydraulic brake |
| Parking brake type      | Disc                               |
| Parking brake actuation | SAHR                               |

## HYDRAULIC SYSTEM

|                  |                    |
|------------------|--------------------|
| Main pump type   | Plunger pump       |
| System pressure  | 3,771 psi (26 MPa) |
| Raise            | 6 s                |
| Dump time        | 1.6 s              |
| Float down time  | 3.4 s              |
| Total cycle time | 11 s               |

## BUCKET PERFORMANCE

|                 |  |
|-----------------|--|
| Bucket capacity | 7.1 yd <sup>3</sup> (5.4m <sup>3</sup> ) |
|-----------------|--|

## TIRES

|           |         |
|-----------|---------|
| Tire size | 29.5R25 |
|-----------|---------|

## OPERATING WEIGHT

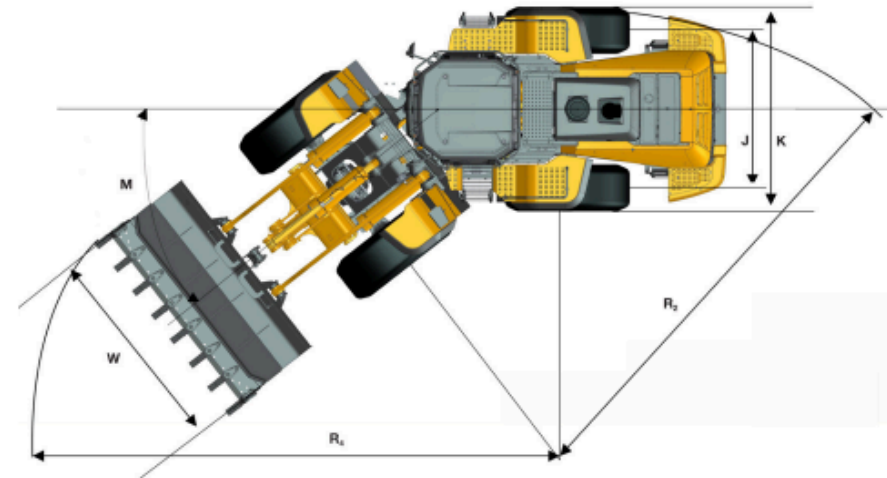
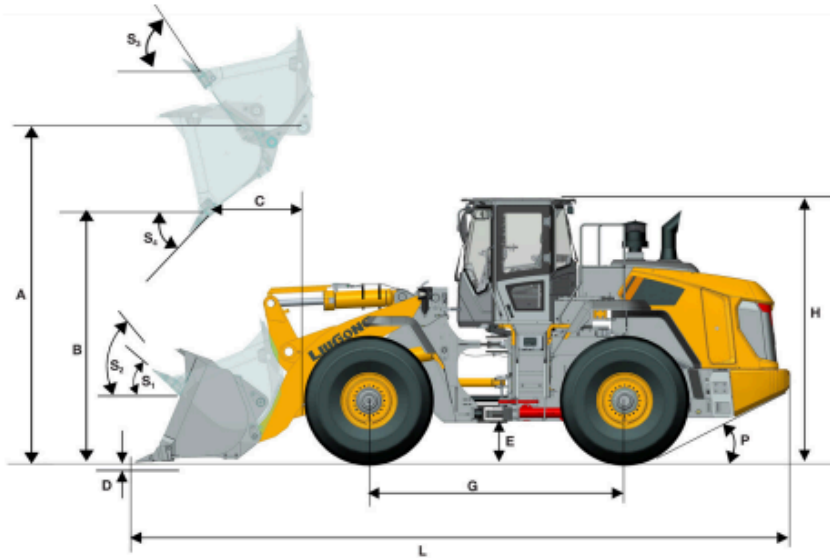
|                  |                       |
|------------------|-----------------------|
| Operating weight | 69,666 lb (31,600 kg) |
|------------------|-----------------------|

## SERVICE CAPACITY

|                  |   |
|------------------|---|
| Fuel tank        | 121.5 gal (460 L)   |
| Engine oil       | 9.2 gal (35 L)  |
| Cooling system   | 11.9 gal (45 L)   |
| Hydraulic system | 67.4 gal (255 L)  |
| Transmission     | 13.2 gal (50 L)   |
| Axles, each      | Front axle: 17.2 gal (65 L)<br>Rear axle: 17.2 gal (65 L) |
| DEF tank         | 13.2 gal (50 L)   |



# SPECIFICATIONS



## LOADER ARM PERFORMANCE WITH ATTACHMENT

### Description

|  |                        |
|--|------------------------|
| Tipping load - straight                        | 53,083 lb (24,078 kg)  |
| Tipping load - full turn                       | 46,749 lb (21,205 kg)  |
| Bucket breakout force                          | 53,055 lbf (236 kN)    |
| A Maximum hinge pin height                     | 15 ft (4,575 mm)       |
| B Dump clearance at full height discharge      | 10 ft 11 in (3,330 mm) |
| C Dump reach at full height discharge          | 4 ft 8 in (1,430 mm)   |
| D Max. digging depth, bucket level             | 5 in (125 mm)          |
| S <sub>1</sub> Bucket rollback at ground level | 45°                    |
| S <sub>2</sub> Bucket rollback at carry        | 49°                    |
| S <sub>3</sub> Bucket rollback at max. height  | 61°                    |
| S <sub>4</sub> Max. dump angle at full height  | 45°                    |

## DIMENSIONS

### Description

|  |                        |
|--|------------------------|
| E Ground clearance                             | 1 ft 5 in (442 mm)     |
| G Wheelbase                                    | 12 ft 1 in (3,700 mm)  |
| H Cab height                                   | 12 ft 5 in (3,785 mm)  |
| J Wheel tread                                  | 7 ft 11 in (2,420 mm)  |
| K Width over tires                             | 10 ft 5 in (3,170 mm)  |
| L Length with bucket down                      | 31 ft 12 in (9,750 mm) |
| M Turn angle, either side                      | 38°                    |
| P Rear angle of departure                      | 25°                    |
| R <sub>1</sub> Turning radius, bucket carry    | 25 ft 8 in (7,824 mm)  |
| R <sub>2</sub> Turning radius, outside of tire | 22 ft 10 in (6,958 mm) |
| W Width over bucket                            | 11 ft 7 in (3,532 mm)  |

