



LIUGONG WHEEL LOADER

838HV

ISLAND-READY HEAVY
EQUIPMENT SOLUTIONS



MICRONESIA
CONTRACTORS SOLUTIONS



MCSHEAVYEQUIPMENT.COM



+1 (671) 473-4374



17-3311 CORSAIR RD., TIYAN, GU 96931

SPECIFICATIONS

ENGINE

| | |
|------------------|--|
| Emissions rating | EPA Tier 4 Final / EU Stage V |
| Make | Cummins |
| Model | B4.5 |
| Gross power | 154 hp (115 kW) @ 2,200 rpm |
| Net power | 142 hp (106 kW) @ 2,200 rpm |
| Peak torque | 525 lbf-ft (712 N-m) @ 1,200 rpm |
| Cylinders | 4 |
| Displacement | 1.18 gal (4.5 L) |
| Aspiration | Turbocharged & Air-to-air intercooled |

TRANSMISSION

| | |
|------------------------|------------------------------|
| Transmission type | Countershaft, power shift |
| Torque converter | Single stage, three elements |
| Max. travel speed, fwd | 24.9 mph (40 km/h) |
| Max. travel speed, rev | 17 mph (27.3 km/h) |
| Number of speeds, fwd | 4 |
| Number of speeds, rev | 3 |

AXLES

| | |
|-------------------------|--------------|
| Differential front type | Limited slip |
| Differential rear type | Limited slip |
| Axle oscillation | ±12° |

STEERING

| | |
|------------------------|--------------------|
| Steering configuration | Articulated |
| Steering pressure | 2,611 psi (18 Mpa) |

BRAKES

| | |
|-------------------------|---------------------------|
| Service brake type | Wet disc brake |
| Service brake actuation | Fully hydraulic |
| Parking brake type | Drum |
| Parking brake actuation | Electro-hydraulic release |

HYDRAULIC SYSTEM

| | |
|-------------------|--------------------|
| Main pump type | Piston |
| System pressure | 3,771 psi (26 MPa) |
| Raise | 4.8 s |
| Dump time | 1.5 s |
| Floater down time | 3.1 s |
| Total cycle time | 9.4 s |

BUCKET PERFORMANCE

| | |
|-----------------|--|
| Bucket capacity | 2.35-5.2 yd ³ (1.8-4.0 m ³) |
|-----------------|--|

TIRES

| | |
|-----------|------------|
| Tire size | 20.5R25 L3 |
|-----------|------------|

OPERATING WEIGHT

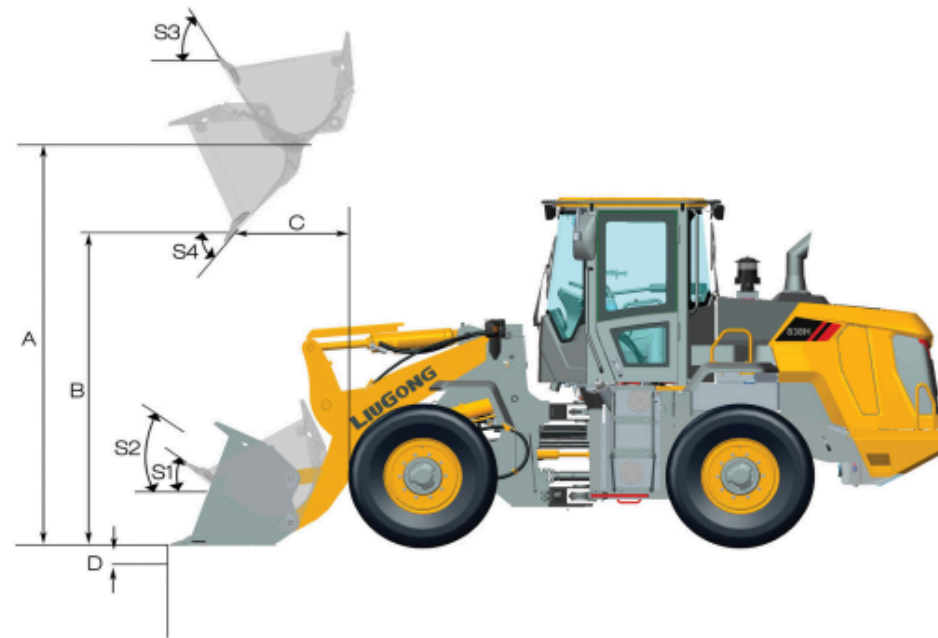
| | |
|------------------|-----------------------|
| Operating weight | 29,033 lb (13,169 kg) |
|------------------|-----------------------|

SERVICE CAPACITY

| | |
|------------------|------------------|
| Fuel tank | 57.3 gal (217 L) |
| Engine oil | 3 gal (11.6 L) |
| Cooling system | 7.4 gal (28 L) |
| Hydraulic system | 33 gal (125 L) |
| Transmission | 10.5 gal (40 L) |
| Axles, each | 9 gal (34 L) |
| DEF tank | 5 gal (19 L) |



SPECIFICATIONS



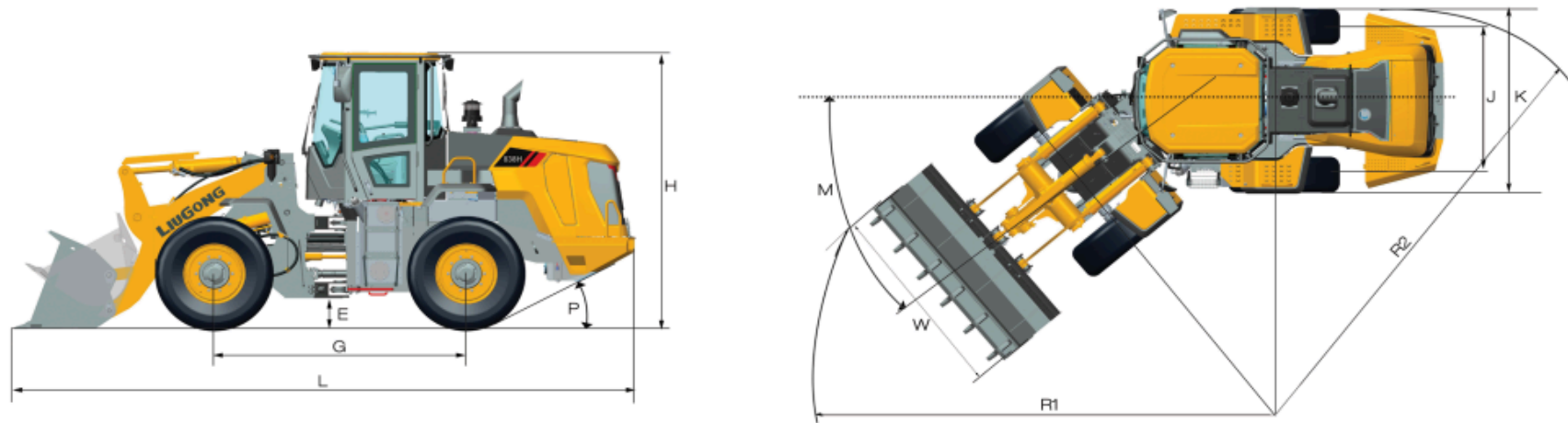
LOADER ARM PERFORMANCE WITH ATTACHMENT

Description

| | |
|--|-----------------------|
| Tipping load - straight | 19,610 lb (8,895 kg) |
| Tipping load - full turn | 16,552 lb (7,508 kg) |
| Bucket breakout force | 17,985 lbf (80 kN) |
| A Maximum hinge pin height | 12 ft 5 in (3,788 mm) |
| B Dump clearance at full height discharge | 9 ft 4 in (2,850 mm) |
| C Dump reach at full height discharge | 4 ft 1 in (1,250 mm) |
| D Max. digging depth, bucket level | 0.8 in (20 mm) |
| S ₁ Bucket rollback at ground level | 42° |
| S ₂ Bucket rollback at carry | 49° |
| S ₃ Bucket rollback at max. height | 56° |
| S ₄ Max. dump angle at full height | 45° |



SPECIFICATIONS



DIMENSIONS

Description

| | | |
|----------------|---------------------------------|------------------------|
| E | Ground clearance | 1 ft 6 in (450 mm) |
| G | Wheelbase | 9 ft 7 in (2,940 mm) |
| H | Cab height | 11 ft 2 in (3,420 mm) |
| J | Wheel tread | 6 ft 1 in (1,850 mm) |
| K | Width over tires | 7 ft 10 in (2,370 mm) |
| L | Length with bucket down | 24 ft 10 in (7,570 mm) |
| M | Turn angle, either side | 40° |
| P | Rear angle of departure | 31° |
| R ₁ | Turning radius, bucket carry | 19 ft 1 in (5,807 mm) |
| R ₂ | Turning radius, outside of tire | 17 ft 6 in (5,320 mm) |
| W | Width over bucket | 8 ft 1 in (2,460 mm) |

